



Project _____

Item # _____

Quantity _____

Mini Display Warmers

Models: MDW-1X, -2X

The Hatco Mini Display Warmer holds and serves products like sandwiches, cookies and pretzels at temperatures up to 180°F (82°C). Perfect for convenience stores, restaurants, recreational facilities and theme parks, and anywhere there is limited counterspace. The non-humidified Mini Display Warmer allows food to be showcased on three magnetically adjustable shelves for maximum visibility. One or two-door models are available for server and self-serve operations. The optional hood with backlit sign cutout can be rotated to face any side. Unit available in *Designer* colors with black hood.

Standard features

- Three magnetically adjustable shelves for horizontal or slanted displays provide flexibility for a variety of product choices
- Tempered glass sides and incandescent light to showcase food products
- Optional hood with backlit sign cutout (sign included) can be rotated to face any side
- Single door or pass-through models available. Doors are field reversible for right or left opening and can be on any side of the unit
- Thermostat control with rocker switch for precise temperature control



MDW-1X with standard *Designer* color and optional hood with backlit sign cut out on one side (sign included)

Magnetically adjustable shelves provide flexibility for a variety of product choices



Options (available at time of purchase only)

Designer Colors – Non-standard colors are non-returnable

– Black standard

- Warm Red Black Gray Granite White Granite
- Navy Blue Hunter Green Antique Copper

Hood with Backlit Sign Cutout on One Side (Sign included) (Black only)

Accessories

Aluminum Tray



▪ IFS anti-microbial coatings use naturally-occurring, environmentally sustainable, silver ions to help inhibit the growth of microbes on the powder coated surface. See www.hatcocorp.com/antimicrobial-paint for more information.



For operation, location and safety information, please refer to the Installation and Operating Manual.



HATCO CORPORATION | P.O. Box 340500 Milwaukee, WI 53234-0500 U.S.A. | (414) 671-6350

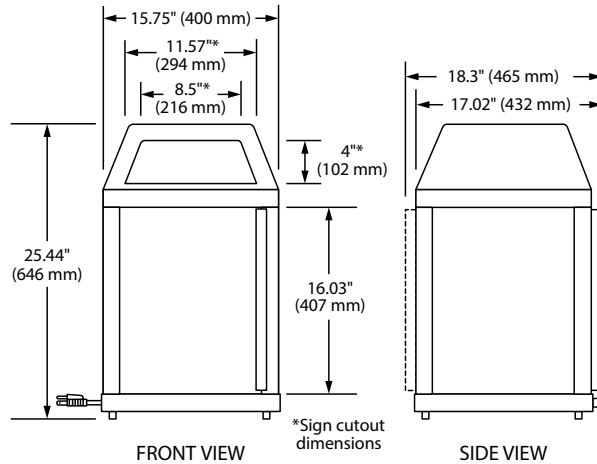


www.hatcocorp.com | support@hatcocorp.com | [Find a Hatco Rep](#) | [Image Library](#) | [Document Library](#) | [Patents](#) | [Chat](#)



Mini Display Warmers

Models: MDW-1X, -2X



SPECIFICATIONS

Mini Display Warmers - Non-Humidified

The shaded areas contain electrical information for International models

Model	Description	Dimensions (W x D x H)	Cabinet Opening (W x H)	Volts	Watts	Amps	Plug	Approx. Ship Weight
MDW-1X	1 Door with 3 shelves	15.75" x 17.02" x 25.44" (400 x 432 x 646 mm)	12.5" x 15.63" (318 x 397 mm)	120	470	3.9	NEMA 5-15P	46 lbs. (21 kg)
				230	510	2.2	CEE 7/7 Schuko, AS 3112, BS-1363	
MDW-2X	2 Doors with 3 shelves	15.75" x 18.3" x 25.44" (400 x 465 x 646 mm)	12.5" x 15.63" (318 x 397 mm)	120	470	3.9	NEMA 5-15P	53 lbs. (24 kg)
				230	510	2.2	CEE 7/7 Schuko, AS 3112, BS-1363	

CORD LOCATION

Facing controls, bottom right corner.

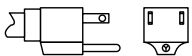
DOOR HINGES

Control Side: Left-hand side.

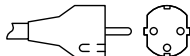
Customer Side (Two-door models only): Right-hand side.

PLUG CONFIGURATIONS

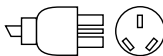
NEMA 5-15P



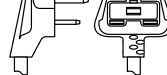
CEE 7/7 Schuko



AS 3112



BS-1363



PRODUCT SPECS

Mini Display Warmers

The Mini Display Warmer shall be a Model ... rated at ... volts and ... watts, as manufactured by the Hatco Corporation, Milwaukee, WI 53234 U.S.A.

The Mini Display Warmer Cabinet shall have ... door(s), tempered glass sides and doors, and incandescent display light. It shall include a temperature selector dial,

On/Off rocker switch, three adjustable shelves, and a 6' (1829 mm) cord with plug attached.

Warranty consists of 24/7 parts and service assistance (US and Canada only).

HATCO CORPORATION | P.O. Box 340500 Milwaukee, WI 53234-0500 U.S.A. | (414) 671-6350



www.hatcocorp.com | support@hatcocorp.com | [Find a Hatco Rep](#) | [Image Library](#) | [Document Library](#) | [Patents](#) | [Chat](#)