



BOIL STEAM warm

HEATMAX HEATED WELL RHW

The new multipurpose HeatMax Heated Well from Hatco Corporation offers the flexibility of food warmer, soup kettle, Bain-Marie heater, steamer, and pasta cooker all in one!

With a range of temperature settings, HeatMax can boil pasta and soup noodles, steam dim sum, keep food warm, hold soups, curry, gravies, and toppings at safe serving temperatures. Heat is evenly distributed throughout the unit to hold foods at desired temperatures, and the insulated, stainless steel design offers easy maintenance and durable performance.

Round HeatMax Models Include:

- Three temperature setpoints from 50°C to 100°C (122° to 212°F) for warming, steaming and boiling
- Low power mode for gentle warming and full power for fast heat-up
- Alarm will sound if unit runs too hot because of a dry pan
- Special steam plate accessory for fast steaming and rethermalizing
- Available in single or dual 10-liters (11-quarts), models
- Available in free-standing or built-in models



RHW-2 includes two wells with 10-liter (11-quart) pots and hinged lids

RHW-1B includes one 10-liter (11-quart) well with hinged lid (ladle not included).



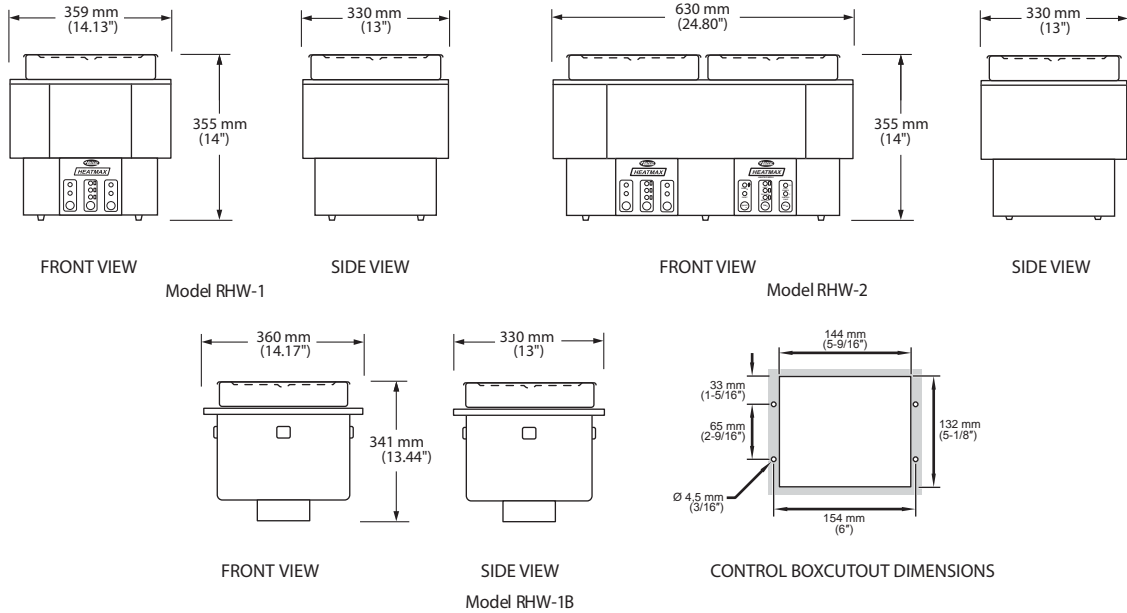
RHW-1 includes one well with 10-liter (11-quart) pot and hinged lid





HEAT-MAX HEATED WELLS

Models RHW-1, RHW-2, RHW-1B



SPECIFICATIONS

Model	Type of Well	Watts	Shipping Weight
RHW-1	Round Single Well	1250	7 kg (15 lbs.)
RHW-2	Round Dual Well	2500	12 kg (26 lbs.)
RHW-1B	Round Single Well Built-in	1250	8 kg (18 lbs.)

DIMENSIONS

RHW-1: 359 W x 330 D x 355 H mm
 RHW-2: 630 W x 330 D x 355 H mm
 RHW-1B: 360 W x 330 D x 341 H mm

CUT-OUT DIMENSION

RHW-1B built-in unit: 305 mm diameter
 RHW-1B control box: 144 mm W x 132 mm H

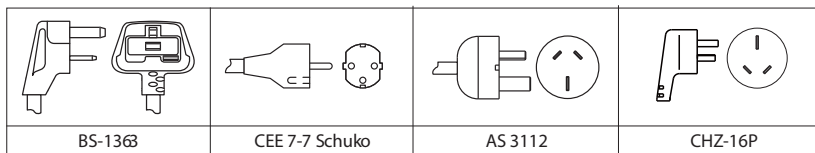
VOLTAGE

230 volts, 50/60 Hz, single phase

CORD LOCATION

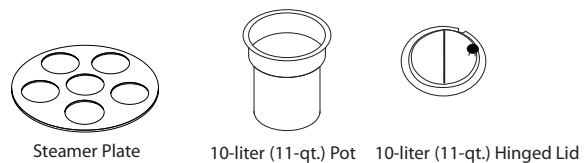
Back of unit.

PLUG CONFIGURATIONS



ACCESSORIES

- Steamer Plate
- 10-Liter (11-quart) Pan
- 10-Liter (11-quart) Hinged Lid



PRODUCT SPECS

Heated Well

The Heated Well shall be a HeatMax, manufactured by the Hatco Corporation, Milwaukee, WI 53234 U.S.A.

The Heated Well shall be a Heat-Max Model ..., rated at ... watts, ... volts, single phase and be ... millimeters in overall width.

The HeatMax shall include an electric heating element and be equipped with an electronic controller adjustable from 50° to 100°C (122° to 212°F). The Heated Well shall be factory assembled ready for electrical installation. The HeatMax shall consist of a stainless steel housing. Food holding pots and pot lids shall be included.