



Project _____

Item # _____

Quantity _____

Plate Warmers

Models: PWC-12, PWB-12

The Hatco Plate Warmers are designed to hold preheated serving plates where customers can access them easily. Serving hot food on preheated plates will help extend the holding times of most foods. The Hatco Plate Warmer has an open design for easy retrieval and loading and adds to a better customer experience. More importantly, it is easy to clean and is available as Built-In or Countertop models that can be wall mounted.

Standard features

- Doorless design has a heated air curtain system
- Either model can be daisy-chained, maximum 3 units (do not stack)
- Each unit holds up to 25 plates up to 12" (305 mm) in diameter
- Digital temperature control with an adjustable range of 104° - 122°F (40° - 50°C), has a cover panel designed to avoid accidental touch
- Energy efficient LED lighting illuminates the interior from the top
- Stainless Steel as standard for durability and has optional Powdercoated *Designer Black*
- PWC-12 ships with power On/Off switch, a detached 6' (1829 mm) power cord, a 39" (1000 mm) jumper cord and a wall-mounting kit
- PWB-12 ships with power On/Off switch, a detached 6' (1829 mm) power cord and a 39" (1000 mm) jumper cord



PWC-12
optional
Designer Black



PWB-12

Options (available at time of purchase only)

Designer Colors[■]

- Non-standard colors are non-returnable – Stainless Steel standard – Black



■ IFS anti-microbial coatings use naturally-occurring, environmentally sustainable, silver ions to help inhibit the growth of microbes on the powder coated surface. See www.hatcocorp.com/antimicrobial-paint for more information.



For operation, location and safety information, please refer to the Installation and Operating Manual.



HATCO CORPORATION

P.O. Box 340500 Milwaukee, WI 53234-0500 U.S.A. | (414) 671-6350



www.hatcocorp.com

support@hatcocorp.com

[Find a Hatco Rep](#)

[Image Library](#)

[Document Library](#)

[Patents](#)

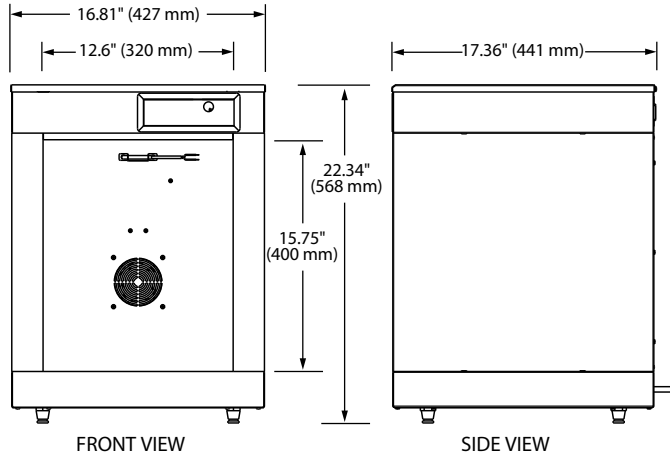
[Chat](#)



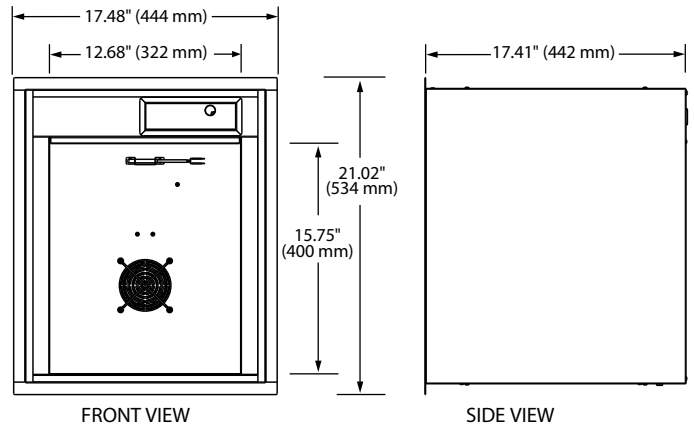
Plate Warmers

Models: PWC-12, PWB-12

PWC-12



PWB-12



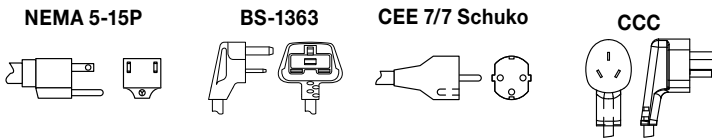
SPECIFICATIONS Impulse Display Cabinets

The shaded areas contain electrical information for International models

Model	Dimensions (W x D x H)	Opening Dimensions (W x H)	Volts	Watts	Amps	Plug	Approx. Ship Weight
PWC-12	16.819" x 17.36" x 22.34" [‡] (427 x 441 x 568 mm)	12.6" x 15.75" (320 x 400 mm)	120	460	3.8	NEMA 5-15P	64 lbs. (29 kg)
			220	389	1.7	BS-1363, Schuko, CCC	
			230	425	1.8		
			240	463	1.9		
PWB-12	17.48" x 17.41" x 21.02" (444 x 442 x 534 mm)	12.68" x 15.75" (322 x 400 mm)	120	460	3.8	NEMA 5-15P	49 lbs. (22 kg)
			220	389	1.7	BS-1363, Schuko, CCC	
			230	425	1.8		
			240	463	1.9		

[‡] Height includes standard 1" (25 mm) legs.

PLUG CONFIGURATIONS



CABINET CUT-OUT DIMENSION FOR PWB-12

16.65"W x 20.16" H (423 x 512 mm).

CORD LOCATION

Back of unit, top left side.

PRODUCT SPECS

Plate Warmer

The Plate Warmer, Model ... rated at ... volts and ... watts, as manufactured by the Hatco Corporation, Milwaukee, WI 53234 U.S.A.

The Plate Warmer shall have ... stainless steel construction, a covered digital temperature control, energy efficient LED lighting, a detachable 6' (1829 mm) power

cord and a 39" (1000 mm) jumper cord. The Built-In unit shall have a wall-mounting kit.

Warranty consists of 24/7 parts and service assistance (US and Canada only).

HATCO CORPORATION | P.O. Box 340500 Milwaukee, WI 53234-0500 U.S.A. | (414) 671-6350



www.hatcocorp.com | support@hatcocorp.com | [Find a Hatco Rep](#) | [Image Library](#) | [Document Library](#) | [Patents](#) | [Chat](#)