



Glo-Max[®] Curved Infrared Strip Heaters

Models

GM5AH	-24/-30/-36/-42/-48/-54/-60/-66/-72/-78
GM5AHL	-24/-30/-36/-42/-48/-54/-60/-66/-72/-78

This stylish design, based on our Glo-Max strip heaters, is the perfect solution for your front-of-the-house applications. Superb for buffet and serving lines, the sleek curved design minimizes its size while accenting and warming the products below.

GM5AHL, with versatile LED lighting options, provides perfect coloring and coverage while lowering energy costs.



• Features

- The entire holding surface is heated evenly with no "cold" spots, thanks to Hatco's dependable infrared element technology
- 10 lengths are available: 610, 762, 915, 1067, 1219, 1372, 1524, 1677, 1829, 1982 mm (24" ~78")
- GM5AHL has energy efficient dual LED lights across the entire strip heater which provides longer performance and energy savings (compared to standard incandescent bulbs)
- Remote box with switches control lights and heat separately
- Housing color choices: clear anodized (standard) and black anodized
- Angle brackets are standard, non-adjustable tubular stands are an option
- GM5AHL has LED lights, GM5AH has no lights



Sleek Curved Design



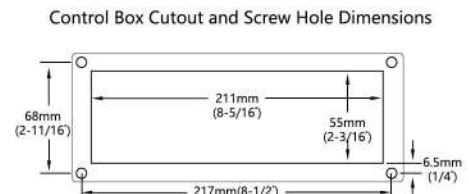
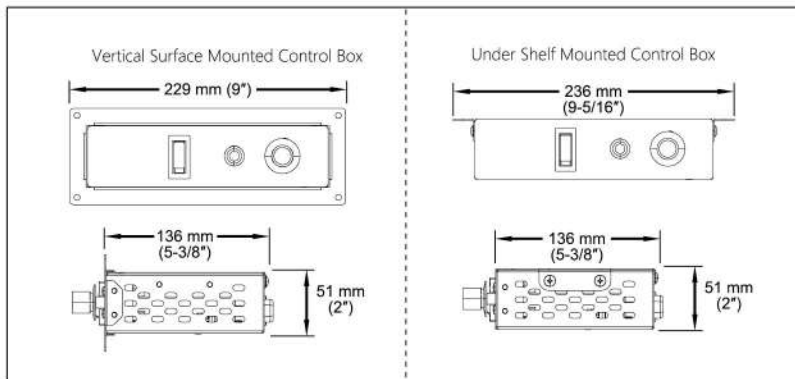
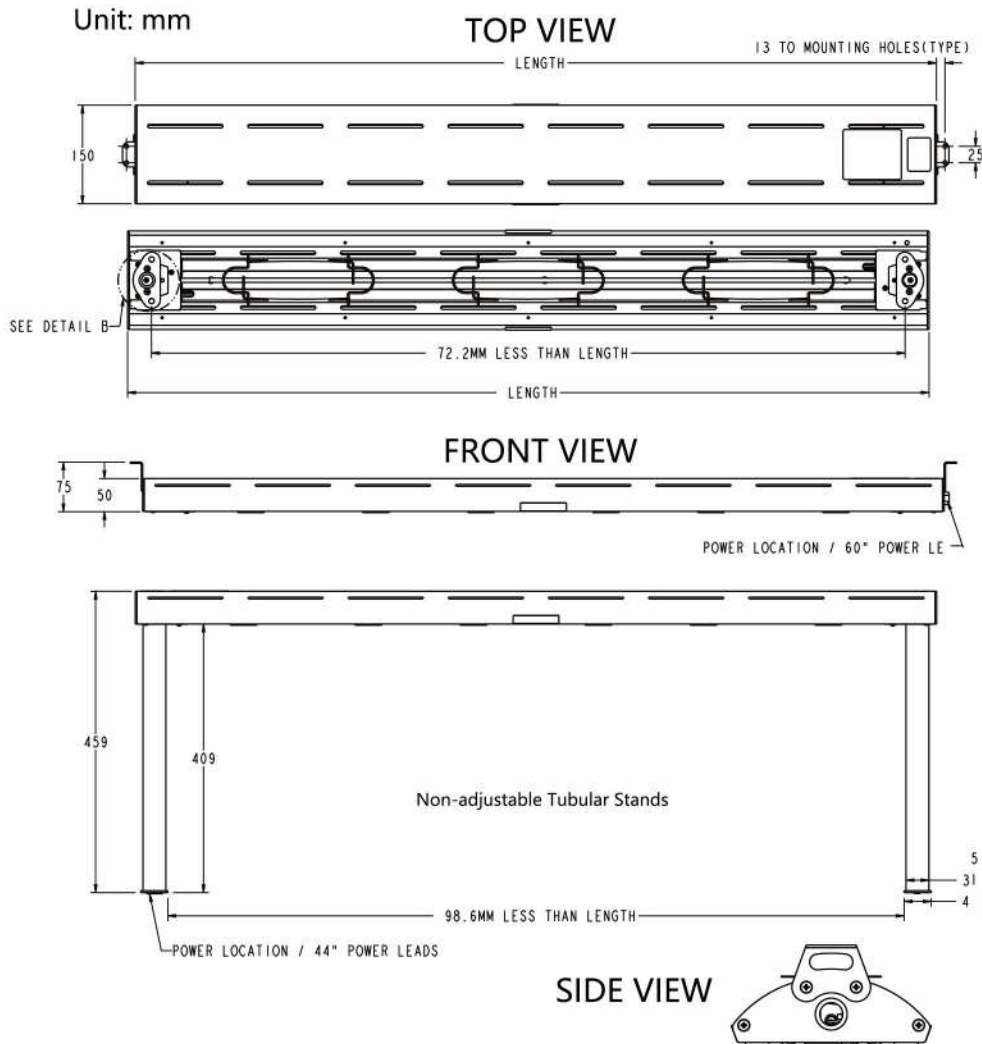
Remote Control Box

GLO-MAX[®]



Curved Infrared Strip Heaters

Models: GM5AH/GM5AHL



Product Specifications

● Specification

Model	Voltage	Watts	Amps	Weight	Model	Voltage	Watts	Amps	Weight	Dimensions(A Models) WxDxH
GM5AH-24	220 ~ 230	500	2.3 ~ 2.4	5kg (10lbs)	GM5AHL-24	220 ~ 230	510	2.3 ~ 2.4	5kg (12lbs)	24" x 6" x 2" (610 x 150 x 51 mm)
GM5AH-30		660	3.0 ~ 3.1	5kg (11lbs)	GM5AHL-30		670	3.0 ~ 3.2	6kg (14lbs)	30" x 6" x 2" (762 x 150 x 51 mm)
GM5AH-36		800	3.6 ~ 3.8	6kg (14lbs)	GM5AHL-36		812	3.7 ~ 3.9	7kg (14lbs)	36" x 6" x 2" (915 x 150 x 51 mm)
GM5AH-42		950	4.3 ~ 4.5	7kg (15lbs)	GM5AHL-42		964	4.4 ~ 4.6	7kg (15lbs)	42" x 6" x 2" (1067 x 150 x 51 mm)
GM5AH-48		1010	4.4 ~ 5.2	7kg (16lbs)	GM5AHL-48		1116	4.5 ~ 5.3	8kg (17lbs)	48" x 6" x 2" (1219 x 150 x 51 mm)
GM5AH-54		1250	5.7 ~ 5.9	8kg (18lbs)	GM5AHL-54		1260	5.8 ~ 6.0	9kg (18lbs)	54" x 6" x 2" (1372 x 150 x 51 mm)
GM5AH-60		1400	6.4 ~ 6.7	8kg (18lbs)	GM5AHL-60		1418	6.4 ~ 6.7	9kg (20lbs)	60" x 6" x 2" (1524 x 150 x 51 mm)
GM5AH-66		1560	7.1 ~ 7.4	9kg (20lbs)	GM5AHL-66		1579	7.2 ~ 7.5	10kg (22lbs)	66" x 6" x 2" (1675 x 150 x 51 mm)
GM5AH-72		1725	7.8 ~ 8.2	10kg (21lbs)	GM5AHL-72		1744	7.9 ~ 8.3	10kg (22lbs)	72" x 6" x 2" (1829 x 150 x 51 mm)
GM5AH-78		1890	8.6 ~ 9.0	10kg (22lbs)	GM5AHL-78		1910	8.7 ~ 9.1	11kg (24lbs)	78" x 6" x 2" (1981 x 150 x 51 mm)

* Clear anodized is the standard housing color, black anodized is an option

* Angle brackets are standard, non-adjustable tubular stands, 409 mm (16"), are an option*Warm LED light(3000K)

* Power wire lead length is 1524 mm (60")

* Plugs: CCC, Schuko, BS or AU

Glo-Max® Slim Curved Strip Heaters

- * The Curved Infrared Strip Heaters shall be a Glo-Max®, manufactured by the Hatco Corporation China.
- * The Foodwarmers shall be a Glo-Max® model ..., rated at ... watts, ...volts, single phase and be ... inches (millimeters) in overall width.
- * The Glo-Max® shall consist of Clear Anodized patented housing and include as standard equipment with 5' (1524mm) power leads, a Remote Control Enclosure with an Infinite Switch and mounting brackets.
- * The infrared heating element shall be tubular metal sheathed. The foodwarmer shall be factory assembled ready for electrical installation.
- * Options shall include Black Anodized color and Non-adjustable Tubular Stands.

Glo-Max® Slim Curved LED Strip Heaters

- * The Curved Infrared Strip Heaters with LED Lights shall be a Glo-Max®, manufactured by the Hatco Corporation China.
- * The Foodwarmers shall be a Glo-Max® model ..., rated at ... watts, ...volts, single phase and be ... inches (millimeters) in overall width.
- * The Glo-Max® shall consist of Clear Anodized patented housing and include as standard equipment with 5' (1524mm) power leads, a Remote Control Enclosure with an Infinite Switch & a Toggle Switch and mounting brackets.
- * The infrared heating element shall be tubular metal sheathed. The LED lights shall be 3000K warm white light color. The foodwarmer shall be factory assembled ready for electrical installation.
- * Options shall include Black Anodized color and Non-adjustable Tubular Stands.