



Project \_\_\_\_\_

Item # \_\_\_\_\_

Quantity \_\_\_\_\_

# Glo-Ray® Portable Foodwarmers

Models: GR-B, GRFF, GRFFL, GRFFB, GRFFBL

Hatco Glo-Ray® Portable Foodwarmers keep food hot at kitchen work areas, waitress pickup stations or customer serving points. Available in models and sizes to meet every food warming need.

## Standard features

- Available with heat above the food, below the food, or both
- GR-B has a pre-set heated base that provides an envelope of heat around your product
- GRFF has a stand to keep food holding pans off the work area and allows easy access from three sides
- GRFFL models include two shatter resistant incandescent lights
- GRFFB's base conducts heat from the bottom while infrared elements heat from above
- GRFFB has a clearance of 12", 14", or 16" (305, 356, or 406 mm) between heated base and upper housing
- Hatco can custom design portable foodwarmers to meet customer specifications or to fit an unusual situation
- Factory pre-wired with a 6' (1829 mm) cord and plug



## Options (available at time of purchase only)

**Designer Colors** – one color per unit, heated base is not powdercoated (not available on GR-B models) – Clear Anodized Standard – Non-standard colors are non-returnable

- Warm Red  Black  Gray Granite  White Granite
- Navy Blue  Hunter Green  Antique Copper

**Gloss Finishes** – one color per unit, heated base is not powdercoated (not available on GR-B models) – Clear Anodized Standard – Non-standard colors are non-returnable

- Gleaming Gold  Glossy Gray  Bold Black
- Radiant Red  Brilliant Blue

9"W x 5.5"H (229 x 140 mm) Display Sign Holder (Sign not included) (GRFFL model with back toggle only) adds 3" (76 mm) to height of unit

Infinite Control (not available on GR-B or units with sign holder)

Halogen Bulb

## Accessories

5-Pleat Hardcoated French Fry Box Ribbon

8-Pleat Hardcoated French Fry Bag Ribbon

Food Holding Pans

Wire Trivets

Chef LED Bulb in lieu of Standard Display Light – bulb must be rotated down – excludes any model without existing bulbs

120V

2700K Similar to warm incandescent light

3000K Similar to warm halogen light

4000K Similar to cool fluorescent light

230V – CE for input voltages above 200V

2700K Similar to warm incandescent light

3000K Similar to warm halogen light

4000K Similar to cool fluorescent light

**IFS anti-microbial coatings use naturally-occurring, environmentally sustainable, silver ions to help inhibit the growth of microbes on the powder coated surface. See [www.hatcocorp.com/antimicrobial-paint](http://www.hatcocorp.com/antimicrobial-paint) for more information.**

**For operation, location and safety information, please refer to the Installation and Operating Manual.**



**HATCO CORPORATION** | P.O. Box 340500 Milwaukee, WI 53234-0500 U.S.A. | (414) 671-6350

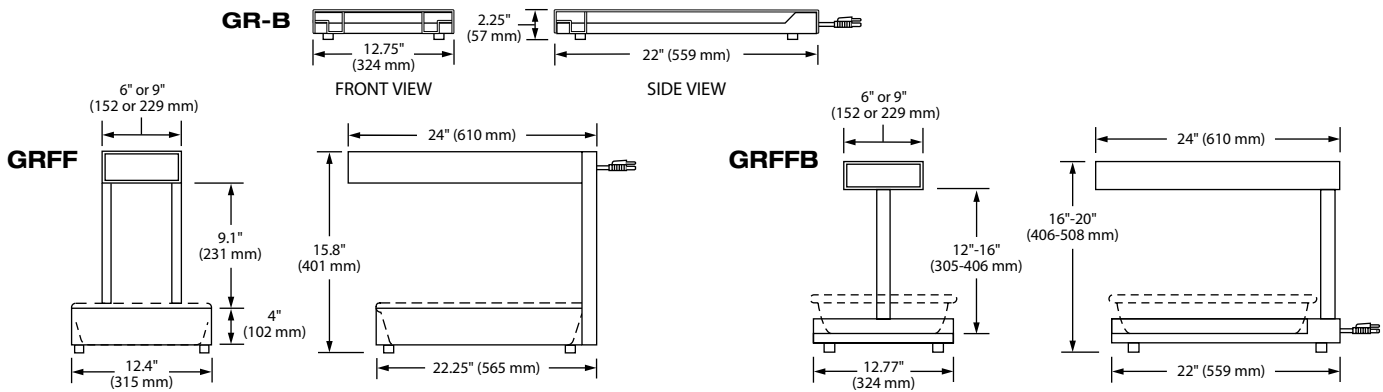


[www.hatcocorp.com](http://www.hatcocorp.com) | [support@hatcocorp.com](mailto:support@hatcocorp.com) | [Find a Hatco Rep](#) | [Image Library](#) | [Document Library](#) | [Patents](#) | [Chat](#)



# Glo-Ray® Portable Foodwarmers

Models: GR-B, GRFF, GRFFL, GRFFB, GRFFBL



## SPECIFICATIONS - Glo-Ray® Portable Foodwarmers

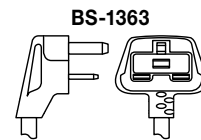
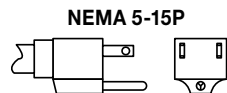
The shaded areas contain electrical information for International models only

Model	Dimensions (Width x Depth x Height)	Volts	Phase	Watts	Amps	Plug	Approx. Ship Weight
GR-B	12.75" x 22" x 2.25" (324 x 559 x 57 mm)	120	Single	250	2.1	NEMA 5-15P	14 lbs. (7 kg)
		220		250	1.1	CEE 7/7 Schuko	
		240		210-230	1.0	BS-1363	
		220-230 (CE)		230-250		CEE 7/7 Schuko	
		230-240 (CE)				BS-1363	
GRFF	12.4" x 24" x 15.8" (315 x 610 x 401 mm)	100	Single	500	5.0	NEMA 5-15P	14 lbs. (7 kg)
		120			4.2	NEMA 5-15P	
		220			2.3	CEE 7/7 Schuko	
		240			2.1	BS-1363	
		220-230 (CE)			2.3-2.4	CEE 7/7 Schuko	
		230-240 (CE)			2.0-2.1	BS-1363	
GRFFL	12.4" x 24" x 15.8" (315 x 610 x 401 mm)	100	Single	600	5.8	NEMA 5-15P	14 lbs. (7 kg)
		120			6.5	NEMA 5-15P	
		220			5.6	CEE 7/7 Schuko	
		240			5.6	BS-1363	
		220-230 (CE)			6.1-6.4	CEE 7/7 Schuko	
		230-240 (CE)			5.4-5.6	BS-1363	
GRFFB	12.75" x 24" x 16"-20" (324 x 610 x 406-508 mm)	100	Single	750	7.5	NEMA 5-15P	29 lbs. (13 kg)
		120			6.3	NEMA 5-15P	
		220			3.2	CEE 7/7 Schuko	
		240			3.1	BS-1363	
		220-230 (CE)			3.2-3.4	CEE 7/7 Schuko	
		230-240 (CE)			3.1	BS-1363	
GRFFBL	12.75" x 24" x 16"-20" (324 x 610 x 406-508 mm)	100	Single	870	8.3	NEMA 5-15P	34 lbs. (14 kg)
		120			7.3	NEMA 5-15P	
		220			3.7	CEE 7/7 Schuko	
		240			3.6	BS-1363	
		220-230 (CE)			3.7-3.8	CEE 7/7 Schuko	
		230-240 (CE)			3.6	BS-1363	

### CORD LOCATION

GR-B, GRFFB, GRFFBL: Back, lower middle.  
 GRFF, GRFFL: Back, upper middle.

### PLUG CONFIGURATIONS



### PRODUCT SPECS Portable Foodwarmers

The Portable Foodwarmer shall be a Glo-Ray® manufactured by the Hatco Corporation, Milwaukee, WI 53234 U.S.A.

The Portable Foodwarmer shall be rated ... watts, ... volts, single phase and be ... inches (millimeters) in overall width.

The Glo-Ray shall consist of aluminum housing and include an infrared heating

element that shall be tubular metal sheathed. Choice of shatter resistant incandescent display lights and heated base. Options: *Designer Colors*, Gloss Finishes, Display Sign Holder, Infinite Control, Halogen bulb. Accessories: food holding pans, trivets and ribbons, Chef LED Bulbs.

Warranty consists of 24/7 parts and service assistance (U.S. and Canada only).

HATCO CORPORATION | P.O. Box 340500 Milwaukee, WI 53234-0500 U.S.A. | (414) 671-6350



[www.hatcocorp.com](http://www.hatcocorp.com) | [support@hatcocorp.com](mailto:support@hatcocorp.com) | [Find a Hatco Rep](#) | [Image Library](#) | [Document Library](#) | [Patents](#) | [Chat](#)