

# Presentation!

## IT'S ALL ABOUT THE DETAILS.

*Hatco Heated Stone Shelves provide the perfect setting to display your culinary delights!*

Hot! Fresh! Delicious! When putting your best food forward, you want nothing to distract your customer's attention from your presentation. That's why the Hatco Heated Stone Shelves are perfectly suited to match the beauty of your display. Available in portable or built-in models, rectangular or round, these unique foodwarmers will safely hold food hot while blending into your décor.

Matching countertops is easy to do. These decorative warmers come in four Swanstone® colors: Bermuda Sand, Night Sky, Gray Granite and Sawgrass, with many others available. Ideal for use on buffet lines and as hors d'oeuvre displays, the Glo-Ray® Stone Shelf features a thermostatically-controlled heated base for precise holding temperatures. Built-in models include a remote box with a 3' (914 mm) conduit and portable models include a 6' (1829 mm) cord and plug.

Let Hatco add a touch of class while handling your foodwarming needs. Call (800) 558-0607 or (414) 671-6350 or visit [www.hatcocorp.com](http://www.hatcocorp.com).



**MODEL GR3L-41**  
Heated Glass Overshelf with accessory breath protector

### Built-in Heated Stone Shelf



**MODEL GRSSB-3018** Built-in Night Sky Heated Shelf and stainless steel trim strip. Built-In Heated Stone Shelf available in six widths: 25<sup>5</sup>/<sub>8</sub>", 31<sup>5</sup>/<sub>8</sub>", 37<sup>5</sup>/<sub>8</sub>", 49<sup>5</sup>/<sub>8</sub>", 61<sup>5</sup>/<sub>8</sub>", or 73<sup>5</sup>/<sub>8</sub>" (651, 803, 956, 1260, 1565, or 1870) x 19<sup>5</sup>/<sub>8</sub>" (498mm) deep.



### Portable Round Heated Stone Shelf

**MODEL GRSSR-20** shown in Gray Granite. Portable Heated Stone Shelf comes in three diameters: 16", 18", or 20" (406, 457, or 508 mm).



### Portable Heated Stone Shelf

**MODEL GRSS-3618** shown in Sawgrass. Portable Heated Stone Shelf available in six widths: 24", 30", 36", 48", 60", or 72" (610, 762, 914, 1219, 1524, or 1829) x 18" (457 mm) deep.

### Portable Round Heated Stone Shelf with Display Lamp

**MODEL GRSSR20-DL77516** shown in Night Sky with optional Swanstone Curved Cutting Board. (Visit [www.hatcocorp.com](http://www.hatcocorp.com) click on "Heated Shelves" then the "Swanstone" button to see additional non-stocked Swanstone colors.)



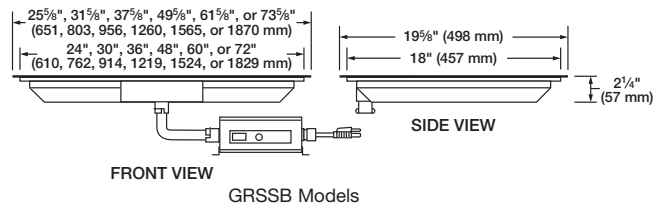
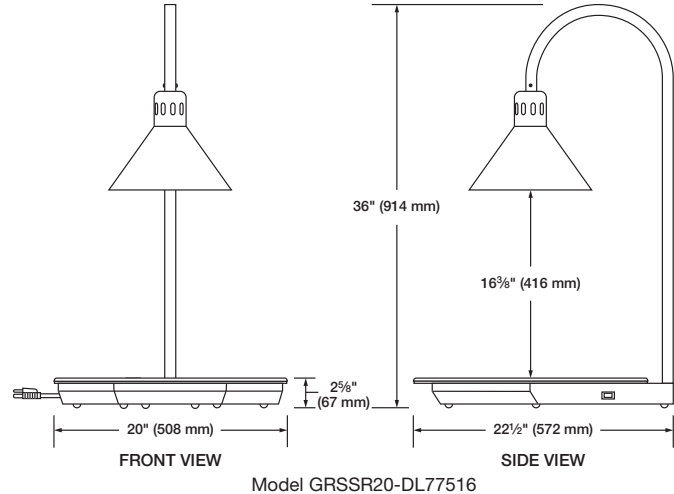
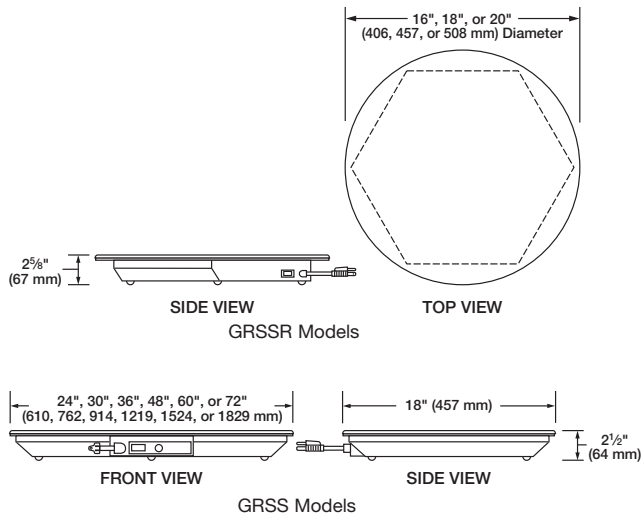
**DECORATIVE LAMP**  
Choose *Designer* colors to match your décor.





# GLO-RAY® HEATED STONE SHELVES

Models GRSSR-16, -18, -20 GRSS-2418, -3018, -3618, -4818, -6018, -7218  
GRSSB-2418, -3018, -3618, -4818, -6018, -7218 GRSSR20-DL77516



## SPECIFICATIONS

### Round Models

Model	Watts	Amps	Diameter	Shipping Weight
GRSSR-16	250	2.1	16" (406 mm)	15 lbs. (7 kg)
GRSSR-18	325	2.7	18" (457 mm)	15 lbs. (7 kg)
GRSSR-20	400	3.3	20" (508 mm)	20 lbs. (9 kg)

### Round Model with Display Lamp

Model	Watts	Amps	Width	Shipping Weight
GRSSR20-DL77516	650	5.4	20" (508 mm)	40 lbs. (18 kg)

### Portable Models

Model	Watts	Amps	Width	Shipping Weight
GRSS-2418	635	5.3	24" (610 mm)	22 lbs. (10 kg)
GRSS-3018	780	6.5	30" (762 mm)	27 lbs. (12 kg)
GRSS-3618	930	7.8	36" (914 mm)	32 lbs. (15 kg)
GRSS-4818	1270	10.6	48" (1219 mm)	44 lbs. (20 kg)
GRSS-6018	1560	13.0	60" (1524 mm)	54 lbs. (25 kg)
GRSS-7218	1860	15.6	72" (1829 mm)	64 lbs. (29 kg)

### Built-in Models

Model	Watts	Amps	Width	Shipping Weight
GRSSB-2418	635	5.3	24" (610 mm)	27 lbs. (12 kg)
GRSSB-3018	780	6.5	30" (762 mm)	32 lbs. (15 kg)
GRSSB-3618	930	7.8	36" (914 mm)	37 lbs. (17 kg)
GRSSB-4818	1270	10.6	48" (1219 mm)	54 lbs. (25 kg)
GRSSB-6018	1560	13.0	60" (1524 mm)	64 lbs. (29 kg)
GRSSB-7218	1860	15.6	72" (1829 mm)	74 lbs. (34 kg)

Temperature Range: 100°-200°F (38°-94°C).

### OPTIONS (NOT FOR RETROFIT)

- Decorative Stone Colors: Gray Granite, Bermuda Sand, Night Sky, Sawgrass
- Designer Colors: Warm Red, Black, Gray Granite, White Granite, Navy Blue, Hunter Green (Flush Mount Control Box Bezel for GRSSB models only) (GRSSR20-DL77516 model and GRSSR Base only)
- Flush Mount Electronic Control Box with Lighted Power Switch (GRSSB models only)

## PRODUCT SPECS

### Heated Stone Shelf

The Heated Stone Shelf shall be a Glo-Ray® Model ....as manufactured by the Hatco Corporation, Milwaukee, WI 53234 U.S.A.

With 24/7 parts and service assistance (U.S. and Canada only), the Heated Stone Shelf shall be rated at ....watts, ....volts, and ....inches (millimeters) in overall width. It shall consist of food-safe material, thermostatically-controlled heated base, and a 6' (1829 mm) cord with plug attached (portable models) or remote box with 3' (914 mm) conduit (GRSSB models only).

**HATCO CORPORATION P.O. Box 340500 Milwaukee, WI 53234-0500 U.S.A. • (800) 558-0607 • (414) 671-6350**  
**Fax (800) 543-7521 • Int'l. Fax (414) 671-3976 • www.hatcocorp.com • E-mail: equipsales@hatcocorp.com**

## DIMENSIONS

GRSSR-16, -18, -20: 16", 18", 20" Dia. x 2 5/8"H (406, 457, 508 x 67 mm).

GRSSR20-DL77516: 20"W x 22 1/2"D x 36"H (508 x 572 x 914 mm).

GRSS-2418, -3018, -3618, -4818, -6018, -7218: 24", 30", 36", 48", 60", or 72" W x 18"D x 2 1/2"H (610, 762, 914, 1219, 1524, or 1829 x 457 x 64 mm).

GRSSB-2418, -3018, -3618, -4818, -6018, -7218: 25 5/8", 31 5/8", 37 5/8", 49 5/8", 61 5/8", or 73 5/8" W x 19 5/8"D x 2 1/4"H (651, 803, 956, 1260, 1565, or 1870 x 498 x 57 mm).

Cutout Dimensions: (Width - 1 1/8") W x (Depth - 1 1/8") D (Width - 29 mm x Depth - 29 mm).

## VOLTAGE

120 volts, single phase only, (uses NEMA 5-15), (GRSS-6018, GRSS-7218, GRSSB-6018, and GRSSB-7218 use NEMA 5-20P).

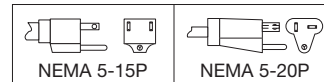
## CORD LOCATION

GRSSR Models and GRSSR20-DL77516: Back side on base.

GRSS Models: Center of side with switch.

GRSSB Models: End of remote enclosure.

## PLUG CONFIGURATIONS



- Flush Mount Control Box with Lighted Power Switch (GRSSB models only)
- Built-in Heated Stone Shelf with Recessed Top (GRSSB models only)

## ACCESSORIES

- Curved Swanstone® Cutting Board with Gravy Ring (GRSSR models and GRSSR20-DL77516 only)

With 24/7 parts and service assistance, the Heated Stone Shelf with Display Lamp shall be rated at ...watts, ... volts, and ....inches (millimeters) in overall width. It shall consist of a food-safe material, thermostatically-controlled heated base, and a 6' (1829 mm) cord with plug attached.

The Lamp shall be ....inches (millimeters in overall length and be ....inches (millimeters away from the shelf. It shall consist of a powdercoated vented lamp shade with heat bulb and mounting.